



OWNER'S MANUAL

SLI 2.3 - SLI 4.3

CONNECTION



REFERENCE
PERFORMANCE

connection.eu

FUNCTIONS

HIGH LEVELS TO LOW LEVELS (RCA) CONVERTER AND REMOTE OUT SIGNAL GENERATOR

- **EXCELLENT AUDIO QUALITY** Conversion achieved thanks to high-quality transformers that preserve the entire bandwidth and to the STOP NOISE technology offering total rejection of electrical interference as transformers provide a galvanic separation between source and amplifier. SLI.3 operates all functions even without a power supply, except for ART™ for which +12V and Ground are necessary (to be provided through dedicated supply input).
- **EASY TO INSTALL** Robust and compact shielded aluminum chassis with connection diagram on the bottom and connection panel on one side that facilitates installation even in the rear dashboard.
- **SINGLE CONNECTOR** Wiring labelled and terminated with *Molex® connector featuring a tear-proof plastic strip, for a long-lasting and easy connection.
- **DSR (DOUBLE STEP-DOWN RATIO)** High-Power (6.5:1) and Low-Power (4:1) step down conversion ratio selectable via DIP switch independently for each input, front and rear, for a correct interface with both traditional OEM sources (Low-Power) or OEM amplifiers featuring high-voltage outputs (High-Power) up to 35V RMS.
- **USS (UNIVERSAL SPEAKERS SIMULATOR)** It simulates the load of the speakers on the 4 input channels (Front and Rear), for a complete compatibility of the interface with OEM sources that detect the original speaker load (impedance) connected to their outputs.

- **ART™** (AUTOMATIC REMOTE TURN-ON) Function compatible with all OEM sources, including the latest generation ones, which creates a 12 V output for the remote control of the amplifier when the SLI is powered.
SLI.3 provides Turn-ON/OFF detection both from DC voltage and Audio Signal at its input, showing the information on which type of signal has been detected by Red or Green LED lighting. Shut-down in Audio signal mode has a delay of 60seconds after the signal is off.

*Molex® is a registered trademark owned by Molex, LLC in the United States.

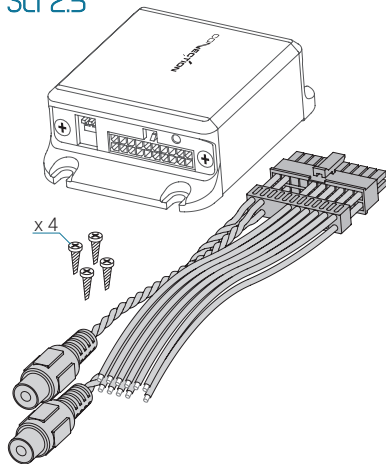
WARNING

- Before you start your installation, make sure you carefully read and understand all instructions. Disregarding them might cause accidental harms or damage your devices.
- The vehicle electric system must have 12 VDC voltage with negative to ground. Make sure your car has it in order to avoid any damages to your amplifier and to the vehicle.
- Install the device in the vehicle parts where temperature is between 0° C (32° F) and 55° C (131° F).
- Make sure the location you chose for the components does not affect the correct functioning of the vehicle mechanical and electric devices.
- Do not run the cables or install the device next to electronic gearcases.
- Always wear protective eyewear when using tools that may generate splinters.
- When installation is over, and before plugging the main power supply fuse, check the system wiring and make sure all connections were done in the right way.
- Safety must be at the first place while driving. Listening volume must never cover noise coming from the outside and from the vehicle, in order for you to be able to promptly face emergency situation.
- Always insulate the connection between the SLI and the OEM headunit / OEM amplifier to avoid damage them.
- Always insulate the connection between the SLI and the +12V power supply system (battery).
- Always fuse +12 V SLI cable (RED) with 1A fuse to avoid any damage to the vehicle electrical system and or event of fire.

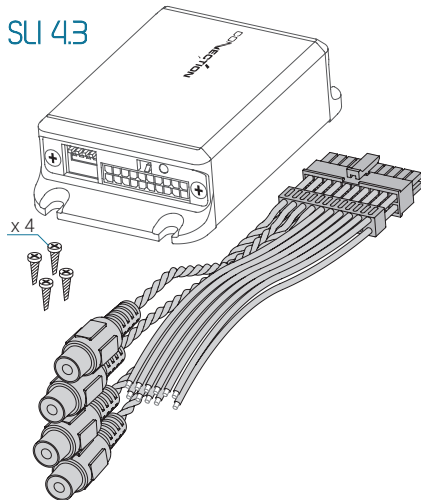
Elettromedia will not be liable for the direct or indirect damages due to a wrong use or a wrong connection of the device.

PACKAGING CONTENTS

SLI 2.3

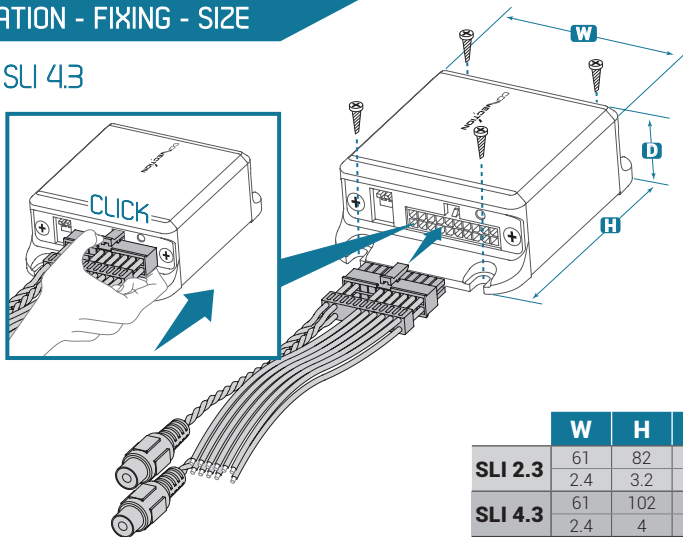


SLI 4.3



INSTALLATION - FIXING - SIZE

SLI 2.3 - SLI 4.3



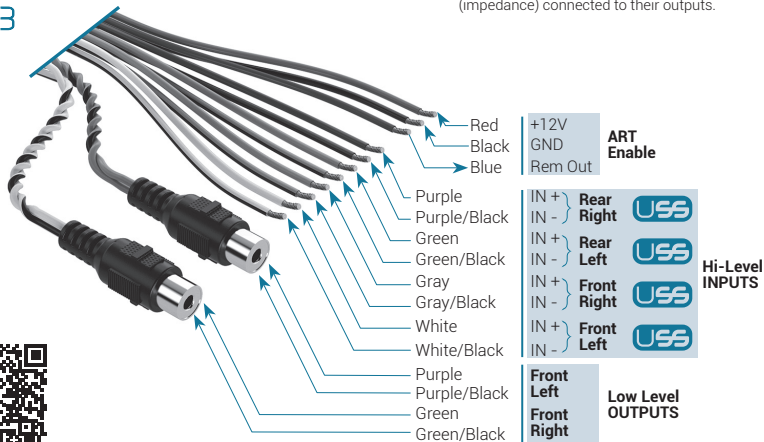
	W	H	D	
SLI 2.3	61	82	28	mm
	2.4	3.2	1.1	in.
SLI 4.3	61	102	28	mm
	2.4	4	1.1	in.

CONNECTIONS

SLI 2.3



UNIVERSAL SPEAKERS SIMULATOR It simulates the load of the speakers on the 4 input channels (Front and Rear), for a complete compatibility of the interface with OEM sources that detect the original speaker load (impedance) connected to their outputs.

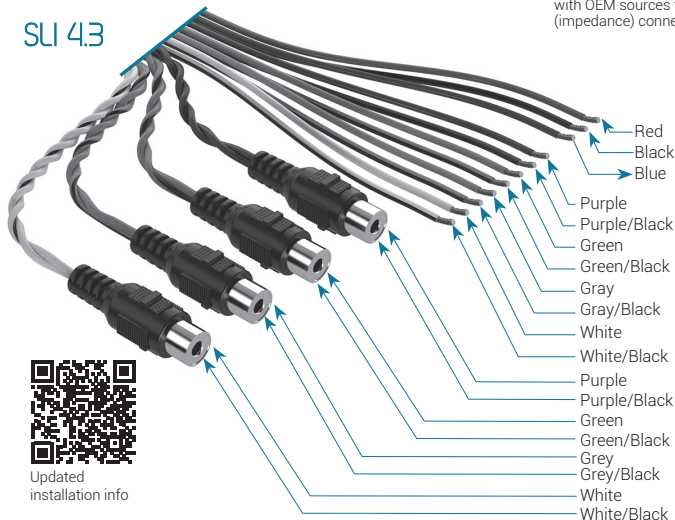


Updated
installation info

Due to the presence of the USS circuit, please make sure to connect the high level cables to the RL and RR inputs only if they are disconnected from the OEM rear speakers.

CONNECTIONS

SLI 4.3



Updated
installation info



UNIVERSAL SPEAKERS SIMULATOR It simulates the load of the speakers on the 4 input channels (Front and Rear), for a complete compatibility of the interface with OEM sources that detect the original speaker load (impedance) connected to their outputs.

+12V
GND
Rem Out

**ART
Enable**

IN + } **Rear Right**
IN - } **Rear Left**
IN + } **Front Right**
IN - } **Front Left**

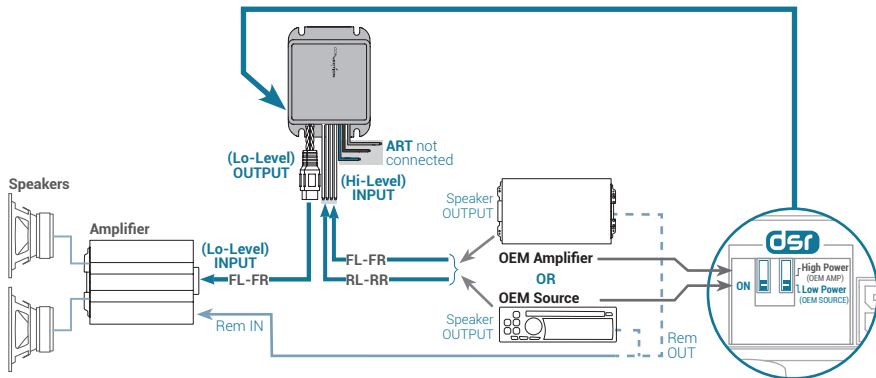


**Hi-Level
INPUTS**

**Front
Left**
**Front
Right**
**Rear
Left**
**Rear
Right**

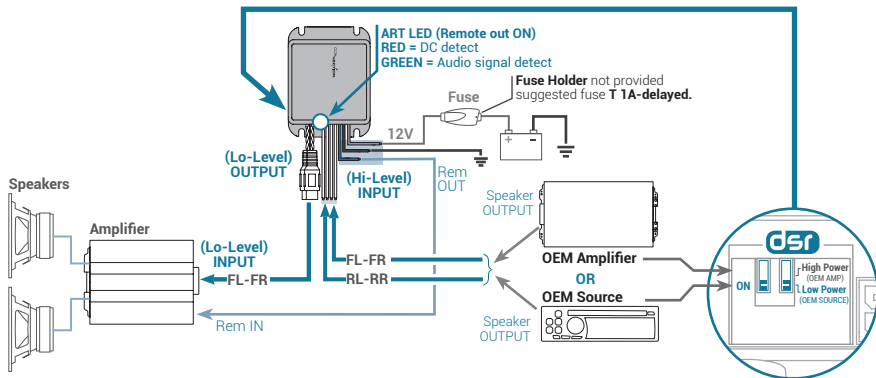
**Lo-Level
OUTPUTS**

CONNECTIONS: SLI 2.3 without ART™ function



DSR: (DOUBLE STEP-DOWN RATIO) High-Power (6.5:1) and Low-Power (4:1) step down conversion ratio selectable via DIP switch independently for each input, front and rear, for a correct interface with both traditional OEM sources (Low-Power) or OEM amplifiers featuring high-voltage outputs (High-Power) up to 35V RMS.

CONNECTIONS: SLI 2.3 with ART™ function

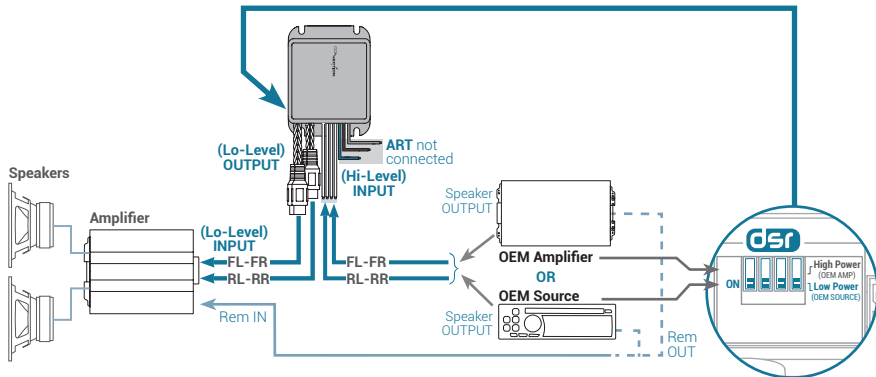


DSR: (DOUBLE STEP-DOWN RATIO) High-Power (6.5:1) and Low-Power (4:1) step down conversion ratio selectable via DIP switch independently for each input, front and rear, for a correct interface with both traditional OEM sources (Low-Power) or OEM amplifiers featuring high-voltage outputs (High-Power) up to 35V RMS.

ART™: (AUTOMATIC REMOTE TURN-ON) Function compatible with all OEM sources, including the latest generation ones, which creates a 12 V output for the remote control of the amplifier when the SLI is powered.

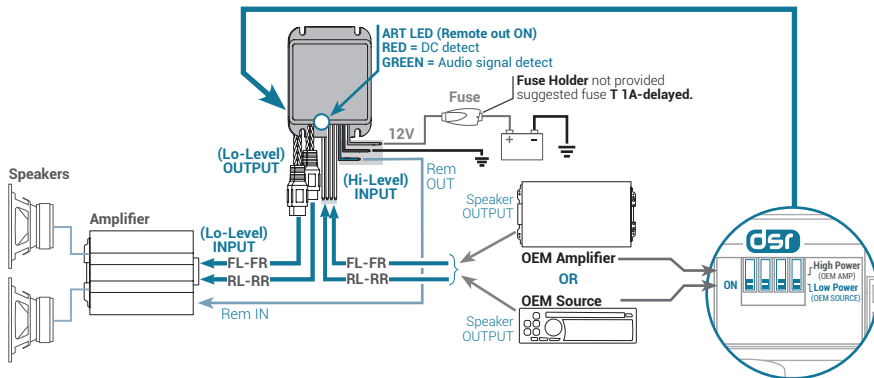
SLI.3 provides Turn-ON/OFF detection both from DC voltage and Audio Signal at its input, showing the information on which type of signal has been detected by Red or Green LED lighting. Shut-down in Audio signal mode has a delay of 60seconds after the signal is off.

CONNECTIONS: SLI 4.3 without ART™ function



DSR: (DOUBLE STEP-DOWN RATIO) High-Power (6.5:1) and Low-Power (4:1) step down conversion ratio selectable via DIP switch independently for each input, front and rear, for a correct interface with both traditional OEM sources (Low-Power) or OEM amplifiers featuring high-voltage outputs (High-Power) up to 35V RMS.

CONNECTIONS: SLI 4.3 with ART™ function



DSR: (DOUBLE STEP-DOWN RATIO) High-Power (6.5:1) and Low-Power (4:1) step down conversion ratio selectable via DIP switch independently for each input, front and rear, for a correct interface with both traditional OEM sources (Low-Power) or OEM amplifiers featuring high-voltage outputs (High-Power) up to 35V RMS.

ART™: (AUTOMATIC REMOTE TURN-ON) Function compatible with all OEM sources, including the latest generation ones, which creates a 12 V output for the remote control of the amplifier when the SLI is powered.

SLI.3 provides Turn-ON/OFF detection both from DC voltage and Audio Signal at its input, showing the information on which type of signal has been detected by Red or Green LED lighting. Shut-down in Audio signal mode has a delay of 60seconds after the signal is off.

TECHNICAL SPECIFICATIONS

	SLI 2.3	SLI 4.3
Input / Output Channels	4*/2	4/4
Maximum Input Power	50W@4Ω (Lo-Power) / 150W@4Ω (Hi-Power)	
Nominal Conversion Ratio	4:1 Lo-Power / 6.5:1 Hi-Power	
Input Impedance**	6 Ω	
Output Impedance	600 Ω	
Distortion (THD+N@25W rms input, Lo-Power)	0,15% 100 Hz, 0,07% 1 kHz, 0,07% 10 kHz	
Frequency Response (-3dB)	15 ÷ 40 kHz	
Remote Out (Only when SLI is Powered)	12 VDC - 100mA max @ 12.6 VDC input	
Audio Signal and DC signal detection	Audio signal = 20 mV / DC = 2V	
Weight (kg. / lb.) including cable	0,16 (0.36)	0,25 (0.55)

* SLI 2.3 is provided with 4 inputs in order to properly load OEM Source/Amp Speaker outputs FRONT and REAR

** Input impedance when the USS function is ON.



WARRANTY

The products are guaranteed according to the laws in force.
Possible damaged products must be sent back, with authorization, to CONNECTION dealer to be repaired or replaced.
Products damaged by incorrect use/installation are not covered by warranty.

INFO

In Italy: supporto.tecnico@elettromedia.it
Abroad: support@elettromedia.it

CONNECTION PART OF ELETTROMEDIA

62018 Potenza Picena (MC) Italy - T +39 0733 870 870 - F +39 0733 870 880 - www.elettromedia.it